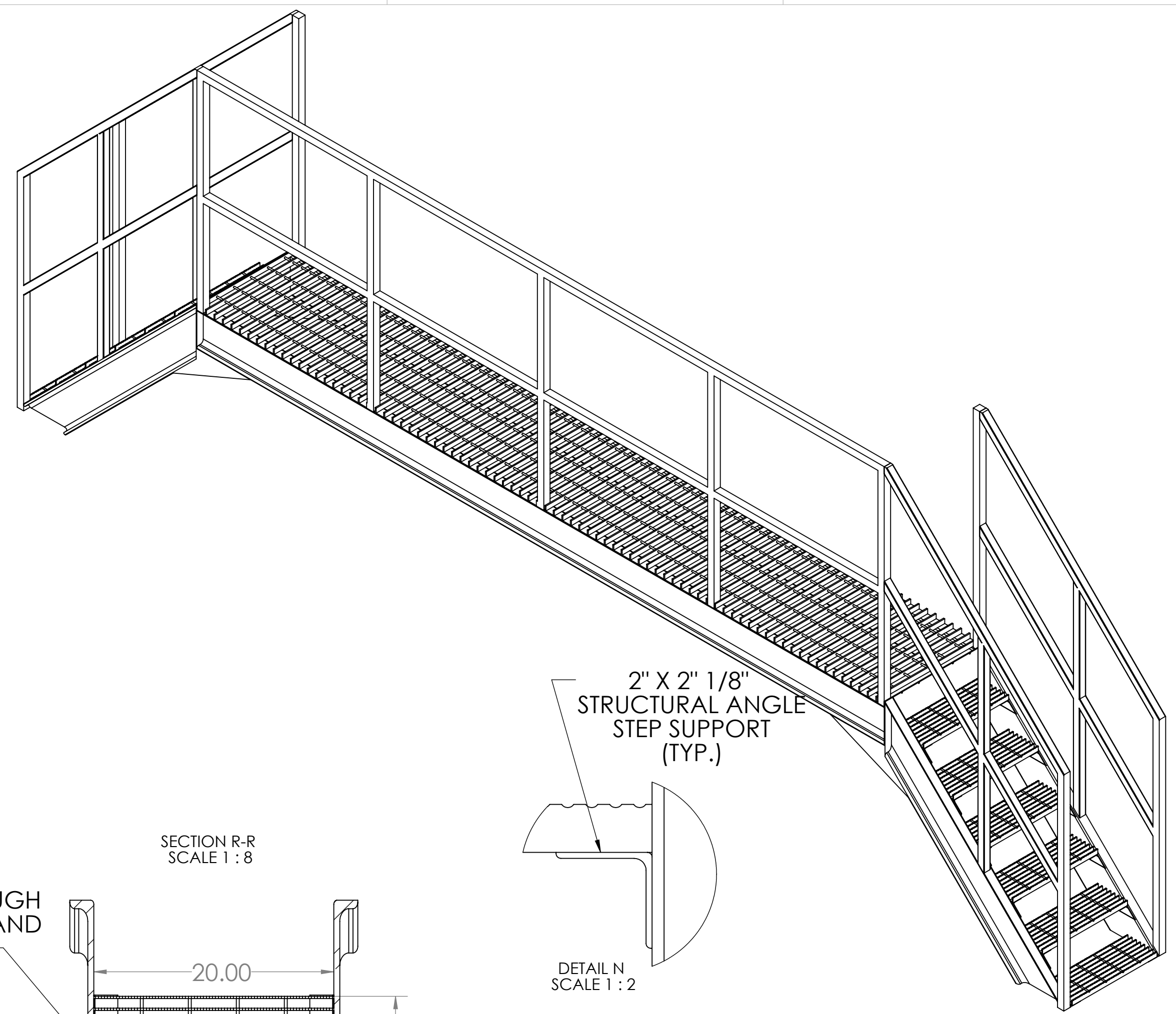
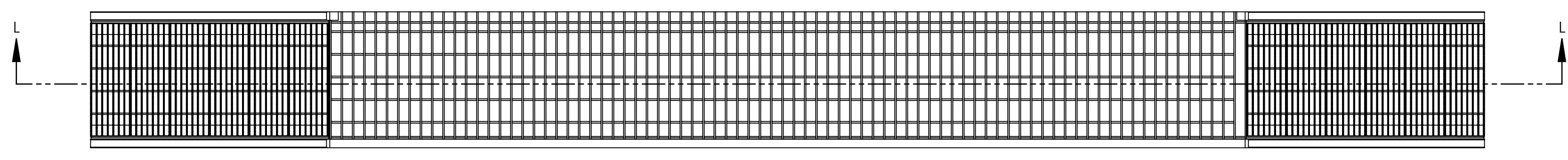


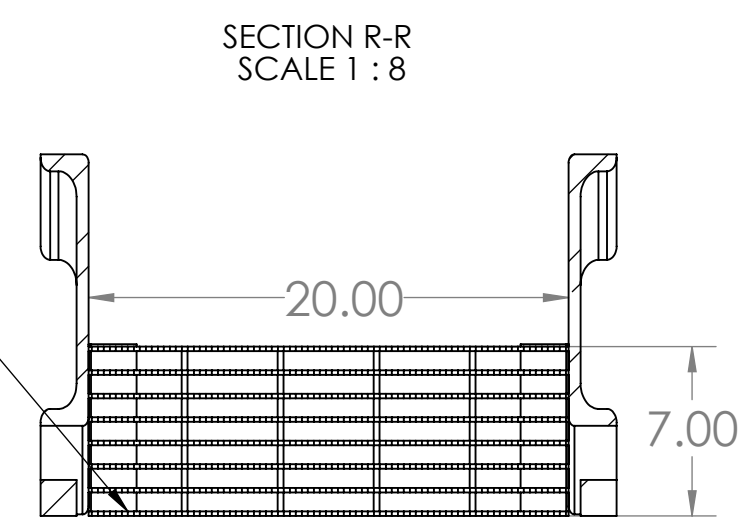
SECTION L-L



2" X 2" 1/8" STRUCTURAL ANGLE STEP SUPPORT (TYP.)

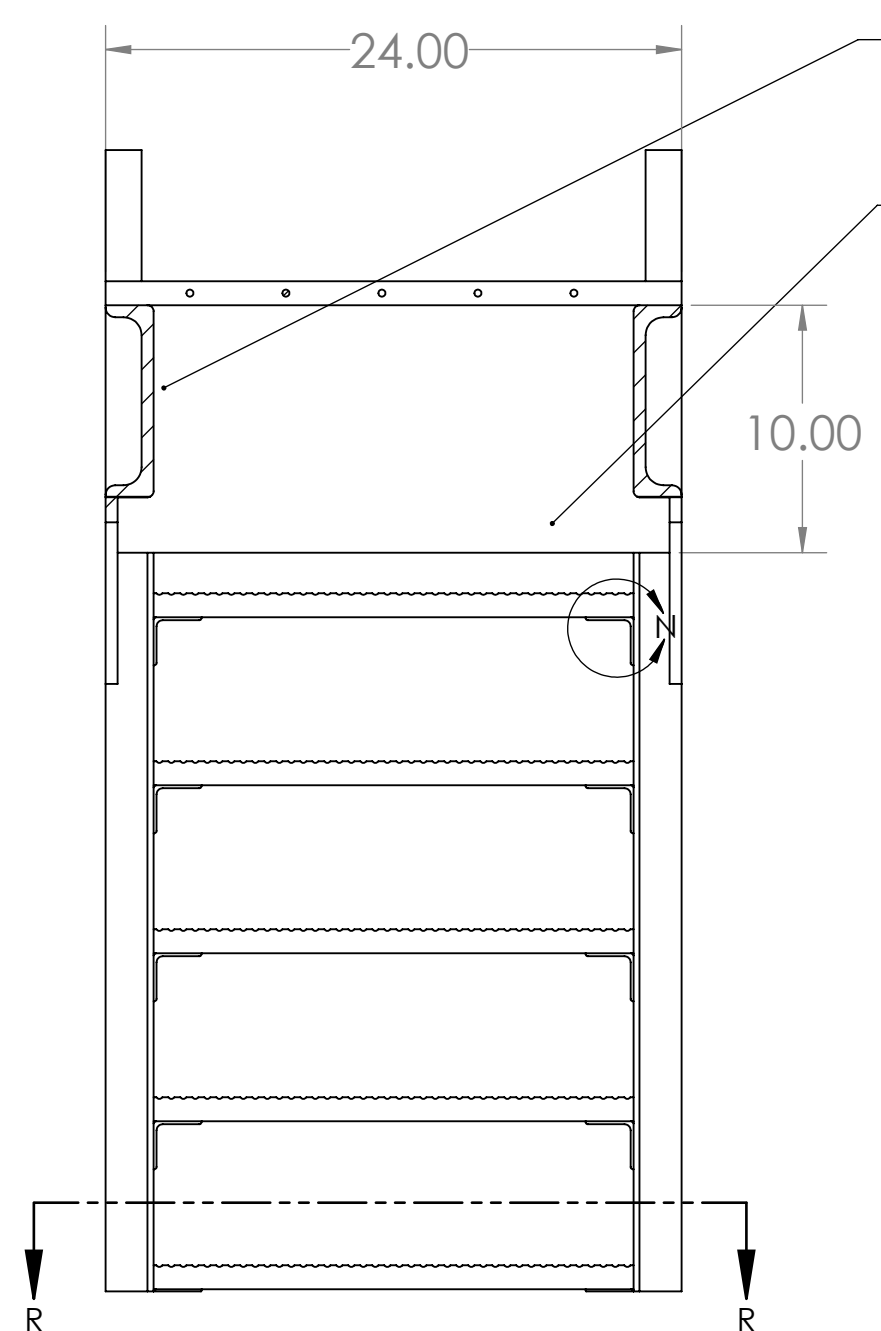
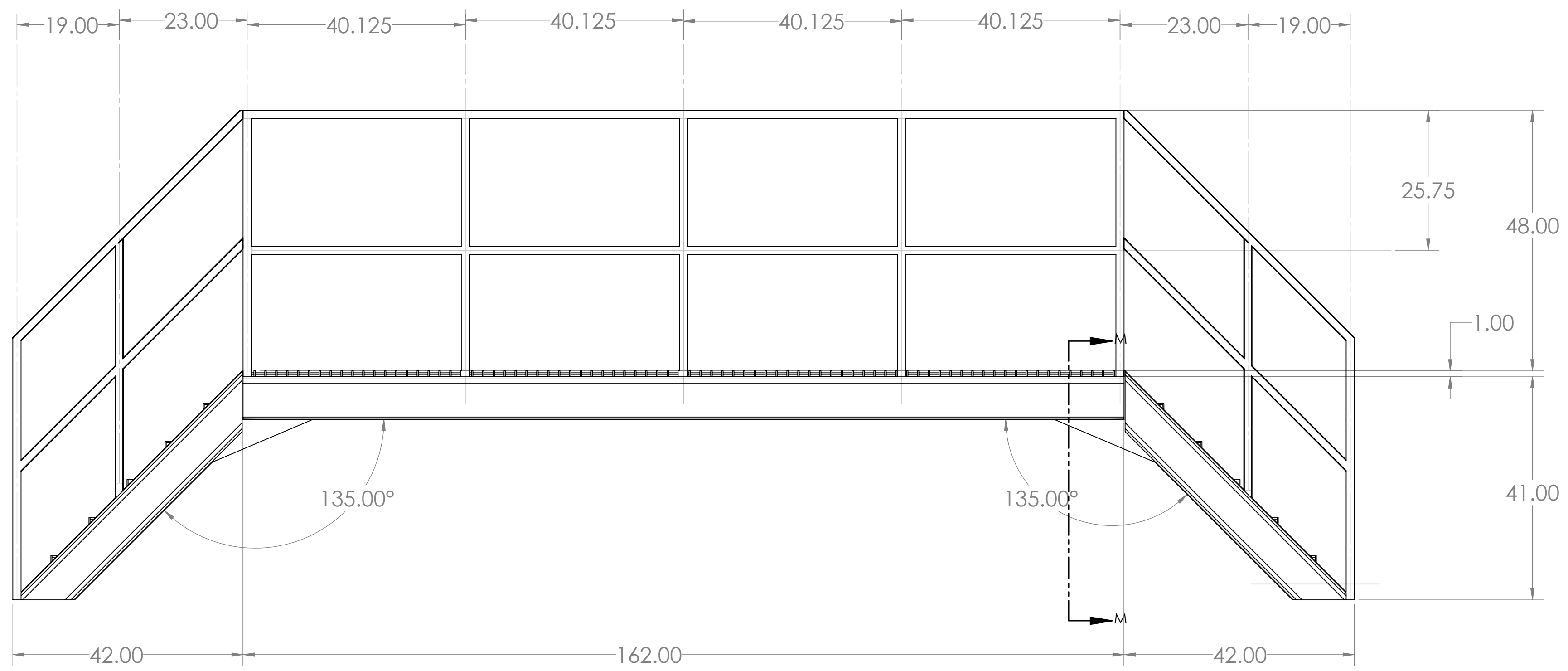


1" GRATING (TYP.) THROUGH OUT STAIRS AND WALKWAY

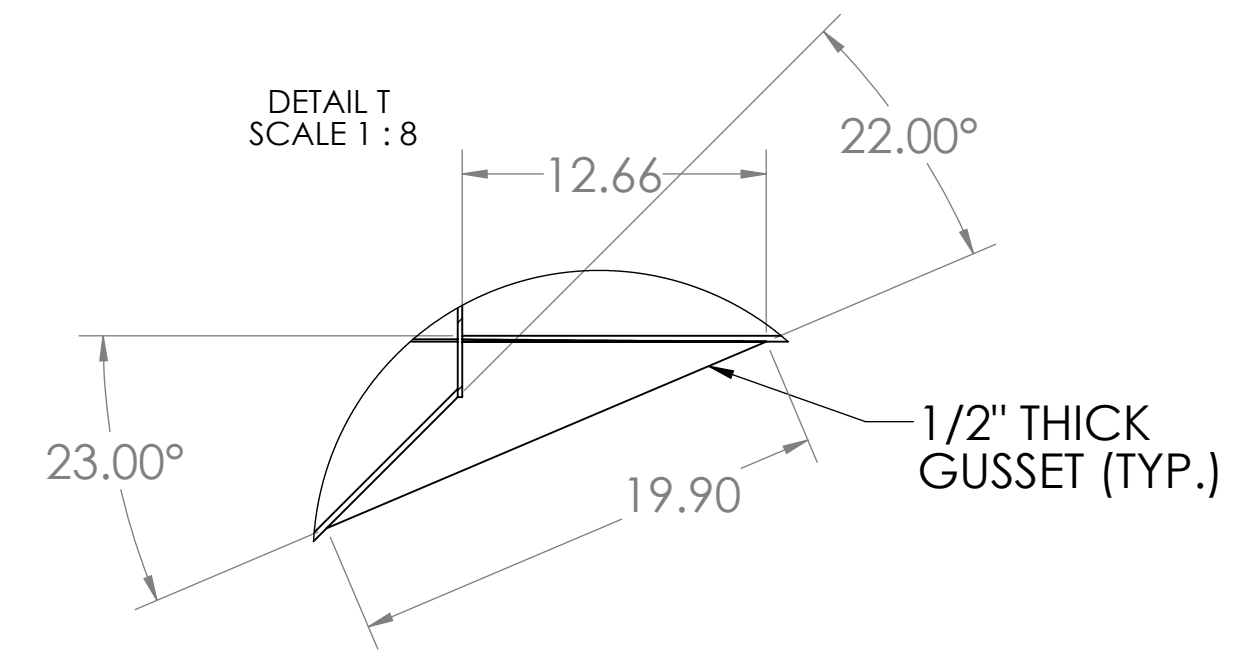


SECTION R-R SCALE 1:8

DETAIL N SCALE 1:2



SECTION M-M SCALE 1:8



DETAIL T SCALE 1:8

DATE: 09/11/2013	ADESCO	
DRAWN BY: JEFF GOODRICH	TITLE: PLATFORM WALKWAY	
RADCAD DESIGNS	PROPRIETARY AND CONFIDENTIAL	
<small>THE INFORMATION CONTAINED IN THIS DRAWING IS THE SOLE PROPERTY OF RADCAD DESIGNS. ANY REPRODUCTION IN PART OR AS A WHOLE WITHOUT THE WRITTEN PERMISSION OF RADCAD DESIGNS IS PROHIBITED.</small>		
SIZE: DWG. NO. D ADPLTWLK91113	REV: A	SCALE: 1:16 WEIGHT: SHEET 1 OF 1

PLATFORM WALKWAY UPDATED 9-12-13